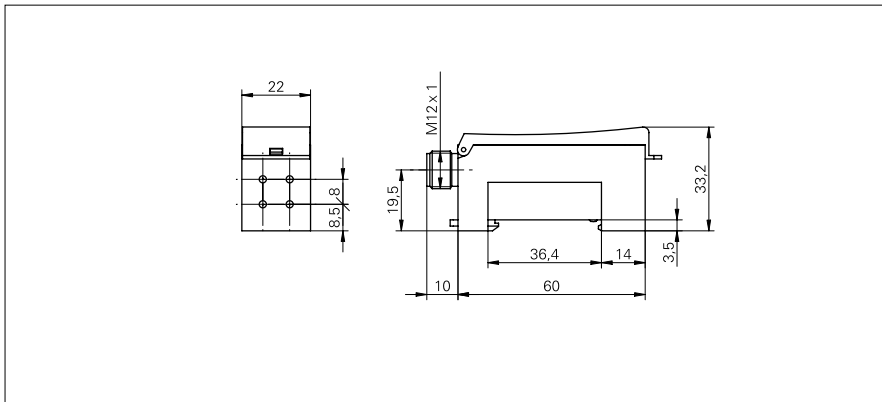


Lichtleitergeräte und Lichtleiter

FVDK 22P6101/S14C

dimension drawing



general data

| | |
|---------------------------------------|---------------------|
| actual range S_b (FSE 200C1002) | 320 mm |
| sensing distance T_w (FUE 200C1003) | 90 mm |
| light source | pulsed red LED |
| light indicator | LED green |
| alignment / soiled lens indicator | LED green, flashing |
| output indicator | LED yellow |
| adjustment | Teach-in |
| wave length | 660 nm |
| suppression of reciprocal influence | yes |

electrical data

| | |
|------------------------------|---------------------------------|
| response time / release time | < 1 ms |
| voltage supply range $+V_s$ | 10 ... 30 VDC |
| current consumption max. | 68 mA |
| current consumption typ. | 50 mA |
| voltage drop V_d | < 1,8 VDC |
| output function | light / dark operate switchable |
| output circuit | PNP |
| output current | < 100 mA |
| short circuit protection | yes |
| reverse polarity protection | yes |

mechanical data

| | |
|------------------|----------------------|
| width / diameter | 22 mm |
| height / length | 33,2 mm |
| depth | 60 mm |
| type | rectangular |
| housing material | PBT / PC |
| connection types | connector M12, 5 pin |

ambient conditions

| | |
|-----------------------|----------------|
| operating temperature | -25 ... +55 °C |
| protection class | IP 65 |

photo



connection diagram

